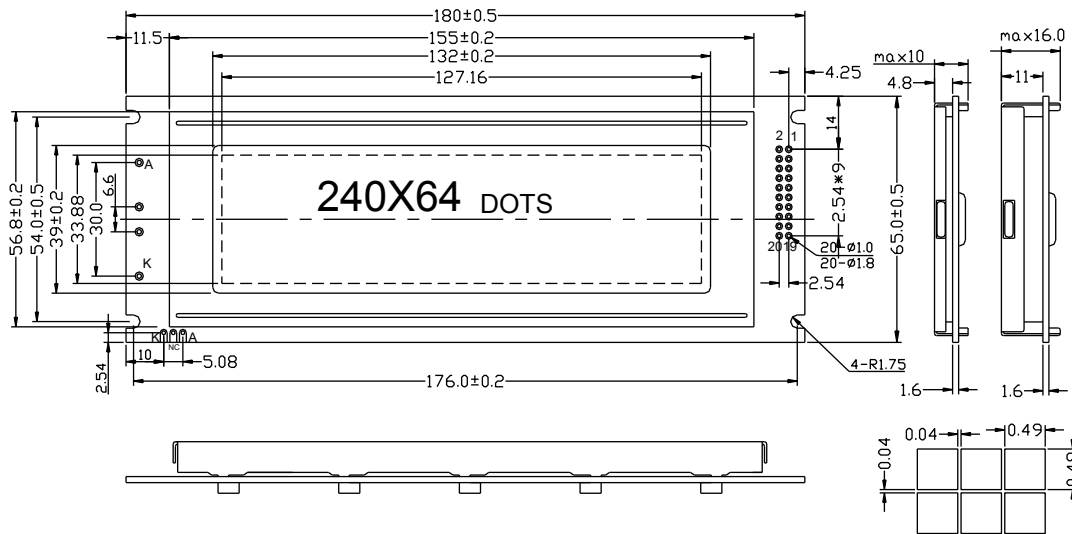
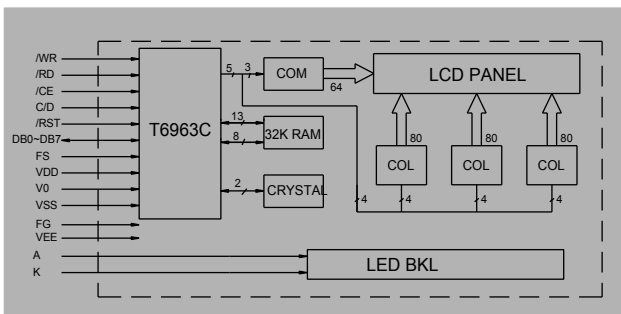




**Outline Dimension**



**Block diagram**



**Feature**

1. 240X64 dots graphic LCD module
2. Built-in controller (T6963C)
3. 5.0V power supply
4. STN; 1/64 duty; LED BKL or EL BKL

**Mechanical Data**

Item	Standard	Unit
Module dimension	180.0x65.0	mm
Viewing area	132.0x39.0	mm
Dot size	0.49x0.49	mm
Dot pitch	0.53x0.53	mm

**Interface pin connections**

PIN NO	Symbol	Function
1	FG	Frame ground
2	VSS	GND
3	VDD □	+5V
4	V0	Constrast adjustment
5	/WR □	Write enable signal
6	/RD	Read enable signal
7	/CE	Chip enable signal
8	C/D	H: Instruction,L: Data
9	VEE □	Operating voltage for LCD
10	/RST	Reset signal
11 to 18	DB0 to DB7	Data bus line
19	FS	Font selection
20	N/A	NO Connection

**Absolute Maximum Rating**

Item	Symbol	Standard			Unit
		Min	Typ	Max	
Power supply	VDD-VSS	-0.3	-----	5.5	V
Input voltage	VI	-0.3	-----	VDD	

**Electronical characteristics**

Item	Symbol	Condition	Standard			Unit
			Min	Typ	Max	
Input voltage	VDD	+5V	4.7	5.0	5.5	V
Supply current	I <sub>DD</sub>	VDD=5V	-----	7.0	-----	mA
Recommended LCD driving voltage for normal temp version module	VDD-V0	-20°C	-----	-----	-----	V
		0 °C	-----	-----	-----	
		25°C	-----	12.6	-----	
		50°C	-----	-----	-----	
		70°C	-----	-----	-----	
LED forward voltage	V <sub>F</sub>	25°C	-----	4.2	4.5	V
LED forward current	I <sub>F</sub>	25°C	-----	350	-----	mA
EL power supply current	I <sub>EL</sub>	V <sub>EL</sub> =110V AC 400Hz	-----	-----	-----	mA